



Lake Murray Construction Application

Re: Lake Management Construction Application

Dear Property Owner:

Enclosed is an application for your proposed activity at Lake Murray. This application can be used for the private residential activities listed below. Please complete the application form and the attached sketch sheet. If you are going to construct a dock or ramp, your measurements must be accurate.

It is important that you send us precise directions and a plat of your property with the location of the construction shown on it, and some form of landmark that lets us identify your property. The application must be completed, signed by the property owner and returned to the Lake Management Department with the appropriate fee. The Shoreline Management and Vegetative Protection Agreement must be signed, dated and returned with your application before your application can be processed.

An onsite inspection will be made to determine that your request is in compliance with Lake Management guidelines. Concluding the onsite inspection, you will receive in writing an approved or denied stamped copy of your application and construction dimension form. Along with the approved form for a dock application, you will be issued a construction permit that must be displayed at the work location.

Upon receipt of written approval, you may start construction of the approved activity. If the proposed activity is not approved, a Lake Management representative will contact you by phone to discuss the application.

Another site visit will be made to inspect your construction work. Docks constructed according to the approved permit will be tagged with a metal decal (DECAL MUST REMAIN VISIBLE AT ALL TIMES).

If you have any questions, please contact the Lake Management Department at 803-217-9221.

PERMITTING FEE SCHEDULE

Dock: \$250.00

Boat Ramp (Concrete): \$100.00

Boat Lift: \$100.00

PWC Lift: \$100 each (up to 2)

Water Removal (Irrigation Only): \$100.00

Dock Modification: \$100.00

Marine Railway: \$100

Limited Brushing: \$100.00

Shoreline Stabilization: \$100.00

Retaining Wall: \$100

Geothermal: \$100.00

Permit Transfer: No Charge

Make Checks Payable To: Dominion Energy

Mailing Address: 6248 Bush River Rd

Columbia SC 29212

Rev. 01/03/2022

Lake Murray Construction Application

Trees, bushes, and vegetation growing below the 360-foot contour on the shoreline of Lake Murray, play an important role in the overall environmental condition of the Lake. The ecological impact the vegetation has on the fish and wildlife habitat is necessary to ensure a sound, healthy Lake environment. Dominion Energy's Shoreline Management Plan permits limited removal of the shoreline vegetation for the construction and installation of docks.

Please be advised that unauthorized removal of shoreline vegetation (button bushes, willow trees, hardwoods, etc.) will result in the cancellation of the dock permit and revegetation of the shoreline will be required.

Property owners must contact Dominion's Lake Management Department prior to any removal of shoreline vegetation below the 360-foot contour.

Shoreline Management and Vegetation Protection Agreement
SPECIAL NOTICE TO LAKE MURRAY SHORELINE PROPERTY OWNERS

Saluda Hydroelectric Project is a power generating facility under the regulating jurisdiction of the Federal Energy Regulatory Commission (hereinafter "FERC") and is designed to utilize the waters of Lake Murray to generate electricity. Water levels on the Lake will fluctuate seasonally dependent upon generation and rainfall. Be advised as a property owner on Lake Murray ("Landowner") Dominion Energy, who is the FERC Project 516 licensee, does not guarantee year- round water access to any dock or other facility on the Lake.

Permitting Policy - Permits to construct, repair, modify or replace boat docks, ramps, marine railways or lifts must be obtained from Dominion Energy Lake Management Department (phone number 803-217-9221) **prior to the beginning of construction.**

Shoreline Vegetation below the High-Water Mark - Trees, bushes and other vegetation growing below the 360 foot contour line (the normal high pool elevation of Lake Murray) play an important role in the overall environmental condition of the Lake. This shoreline vegetation (button bushes, willow trees, hardwood trees, etc.) is necessary to ensure and maintain a sound, healthy lake environment. Dominion Energy Land Use and Shoreline Management Plan, as approved by the FERC, permits limited removal of vegetation for the construction and installation of docks and other facilities below the 360 contour. Be advised that **unauthorized removal of shoreline vegetation may result in the cancellation of dock and other permits issued by Dominion Energy, and revegetation of the shoreline will be required.** **The Landowner must contact Lake Management Department prior to removal of shoreline vegetation below the 360 contour.**

75 Foot Setback Area/Vegetative Buffer Zone (may or may not be applicable) - Landowner understands that there may be a 75 foot setback area from the 360 foot contour line inland on certain Lake Murray properties. The boundary line indicating this setback area, or vegetative buffer zone, is shown on Dominion Energy's plats and should be made clear on Landowner's plat if this condition applies to his/her lot. Landowner understands that there are special use restrictions within the 75 foot setback area. **There shall be no clearing of trees or shrubs, or significant alteration of the contour of the land, or posting of the property, and no permanent structure of any kind may be built except as may be permitted under the Dominion Energy Shoreline Management Program** within the 75 foot setback area without **written consent** from the Lake Management Department. The use of Dominion Energy property is entirely permissive and at the discretion of Dominion Energy as landowner, and Landowner must adhere to the terms established herein and in the Shoreline Management Plan in order to ensure continued use of the property.

By signing this document, landowner acknowledges that he/she has been made aware of the Lake Murray Shoreline Management Program and how it affects his/her use of the Lake resource. Landowner further agrees to ensure that any person leasing or otherwise using his/her property is aware of and will obey the land use guidelines set out herein. **Landowner agrees not to violate the rules and restrictions contained in this agreement and understands that the failure to follow them may result in the revocation of all permits for shoreline accessories and may include, where applicable, termination of permission for access to Lake Murray across Dominion Energy property.**

Landowner(s)

Dominion Energy Lake Management Rep

Date

Date

NOTICE

TO ALL LAKE MURRAY DOCK OWNERS

Effective January 1, 2007, all floating docks on Lake Murray will be required to have ENCAPSULATED FLOTATION.

Exposed foam bead flotation billets will no longer be allowed. Foam bead flotation deteriorates, causing shoreline litter. It is subject to destruction by animals and becomes waterlogged.

If there are any questions, please contact Dominion Energy's Lake Management Department at: 803-217-9221

STATE OF SOUTH CAROLINA)
)
COUNTY OF)

DOCK PERMIT NO. _____

APPLICATION FOR LAKE MURRAY PERMIT
Lake Management Department
6248 Bush River Rd, Columbia SC 29212
803-217-9221

1. Name _____
Mail Address _____
(Street or P. O. Box) (City) (State) (Zip)
Lake Address _____
(Street or P. O. Box) (City) (State) (Zip)
Telephone# _____(Email)_____

2. Check Proposed Activities for Which Approval is Requested: Transfer Permit () Dock ()
Dock Modification () Boat Lift () Shoreline Stabilization () Concrete Boat Ramp ()
Limited Brushing () Retainer Wall () Marine Railways () Geothermal () PWC Lift ()
PWC Lift () Water Removal for Irrigation Only () Missing Dock Tag ()

3. Other Request: _____

Do you request an onsite meeting? _____

4. Tax Map Number _____ ****Individual Plat Must Be Included with Application****

5. Application is hereby made for a permit or permits to authorize the activities described herein. I certify that I possess the authority to undertake the proposed activities. I further certify that the undersigned shall indemnify and save harmless Dominion Energy from all liability however arising to any and all persons whomsoever, whether for personal injuries or otherwise, by reason of the construction and/or maintenance, or unsafe condition of any construction upon lands and interests of Dominion Energy, and from any damage or injury resulting to any persons whomsoever from defects in or defective conditions of said construction. Applicant accepts that any permit issued pursuant to this application shall constitute permission and obligation to conduct permitted activities only so long as the results are compatible with the environmental values, including aesthetics, in and about Lake Murray.

PARTIES

Dominion Energy South Carolina Inc. ("Company"), a South Carolina Public Service Corporation,
_____ ("Permittee"), owner of a tract of land near the waters of
Project 516 (Lake Murray).

AGREEMENT

The parties hereto agree to the incorporation of and to abide by the terms and conditions contained in the Permit Conditions on the reverse side hereof.

For of mutual promises contained herein, and such other consideration as may be agreed upon by the parties, subject to herein stated terms and conditions, the Company grants a Permit unto the permittee to encroach upon the Company's interests as described herein. The Permit shall be valid for a period of one (1) years from the date of issuance and shall be renewable by the Company, subject to reinspection.

(Dominion Energy Use)

This instrument constitutes the entire Agreement between the parties hereto.

This Permit shall become effective on the _____ day of _____ 20 _____

Permittee hereby accepts and agrees to comply with the terms and conditions of this permit:

Applicant's Signature (Permittee)

Date

DOMINION ENERGY SOUTH CAROLINA INC.

By: _____
Vice President

ATTEST

By: _____
Secretary

PERMIT CONDITIONS

1.0 PARTIES

1.1 Dominion Energy South Carolina Inc ("Company"), a South Carolina utility corporation, licensed by the Federal Energy Regulatory Commission ("FERC") to own and operate a hydro-electric generating project known in the files of the FERC as "Project 516" and commonly known as "Lake Murray".

1.2 "PERMITTEE", owner of a tract of land near the waters of Project 516 as described in the "Permit" of which these recitals constitute an integral part through incorporation by reference.

2.0 RECITALS

2.1 The Company owns or has flooding and/or clearing rights over all lands in Project 516 below a contour 360 feet above sea level ("360 Contour"). The Company also owns or controls some lands lying between the 360 contour and the Project Boundary Line ("PBL"), which lies above the 360 contour. The lands of the Company and interest in the lands are subject to the Federal Water Power Act, as amended from time to time, and the rules and regulations of the FERC, as amended from time to time, the terms of the Company's license from the FERC and are also subject to other governmental agencies having jurisdiction over the premises.

2.2 Permittee desires to place a structure upon the lands and interests below the 360 foot contour.

2.3 The Company agrees to grant its permission to do so subject to the terms and conditions stated herein.

3.0 TERMS AND CONDITIONS

3.1 The Permit, of which these Permit Conditions constitute a part, shall be subject to the orders, rules and regulation as may be imposed by the FERC or other governmental agencies, or as in the Company's judgement may from time to time be reasonably necessary to implement such orders, rules and regulations.

3.2 The Permittee agrees to prosecute the work authorized herein in a manner so as to minimize any degradation of water quality.

3.3 The Company shall have the right of reasonable ingress and egress across and through the Permittee's land where reasonably necessary for inspection of the encroachments. The Company shall have the right to attach an identifying marker to the encroachment and the Permittee agrees to exercise reasonable care to avoid dislodging or defacing said marker. The use of said premises by Permittee shall not endanger health, create a nuisance, or otherwise be incompatible with overall Project recreational uses.

3.4 Permittee shall keep his encroachments in good repair and shall use the same so as not to interfere with or create a nuisance to the use of Lake Murray by all other landowners or the public.

3.5 With the exception of the encroachments described in the Permit, Permittee shall not construct or maintain any other encroachments including excavation or fillings on the premises described herein without the written consent of the Company.

3.6 Provided, however, that it is one of the conditions hereof, such condition being the essence of the Permit and privilege granted therein, that the Company may revoke or modify the Permit privilege at will by mailing notice of such revocation or modifications at the last known address of the Permittee at least sixty (60) days prior to the date on which the Company wishes such revocation to be effective.

3.7 It is specifically understood and agreed that the Company shall have no obligation whatsoever to remove or to repair or to correct the encroachments described in the Permit.

3.8 The Permittee hereby expressly releases the Company from any and liability for damage or damages to the above described property or to the personal or real property of the Permittee or his family or his agents, servants, or invitees by reason of the erection, construction, operation and maintenance by the Company of a dam or dams and/or reservoir of water of any height or size and necessary spillways and/or adjuncts on the Saluda River at or near Dreher Shoals or by the doing of having done of any other act of thing in connection with the referred

property in the usual and customary use and control for Company's corporate or project purposes.

3.9 The Permittee shall indemnify and save harmless the Company from all liability however arising to any and all persons whatsoever, whether for personal injuries or otherwise, by reason of the construction and/or maintenance, or unsafe of condition of any encroachments permitted hereby, and from any damage or injury resulting to any persons whomsoever from defects in or defective condition of said encroachments.

3.10 It is understood and agreed that all permission herein granted is granted only insofar as the Company has the rights to do so, and does not purport to grant any rights that might impair the rights of any other owner, lessor, or any other person or governmental entity which may have right in this or other lands.

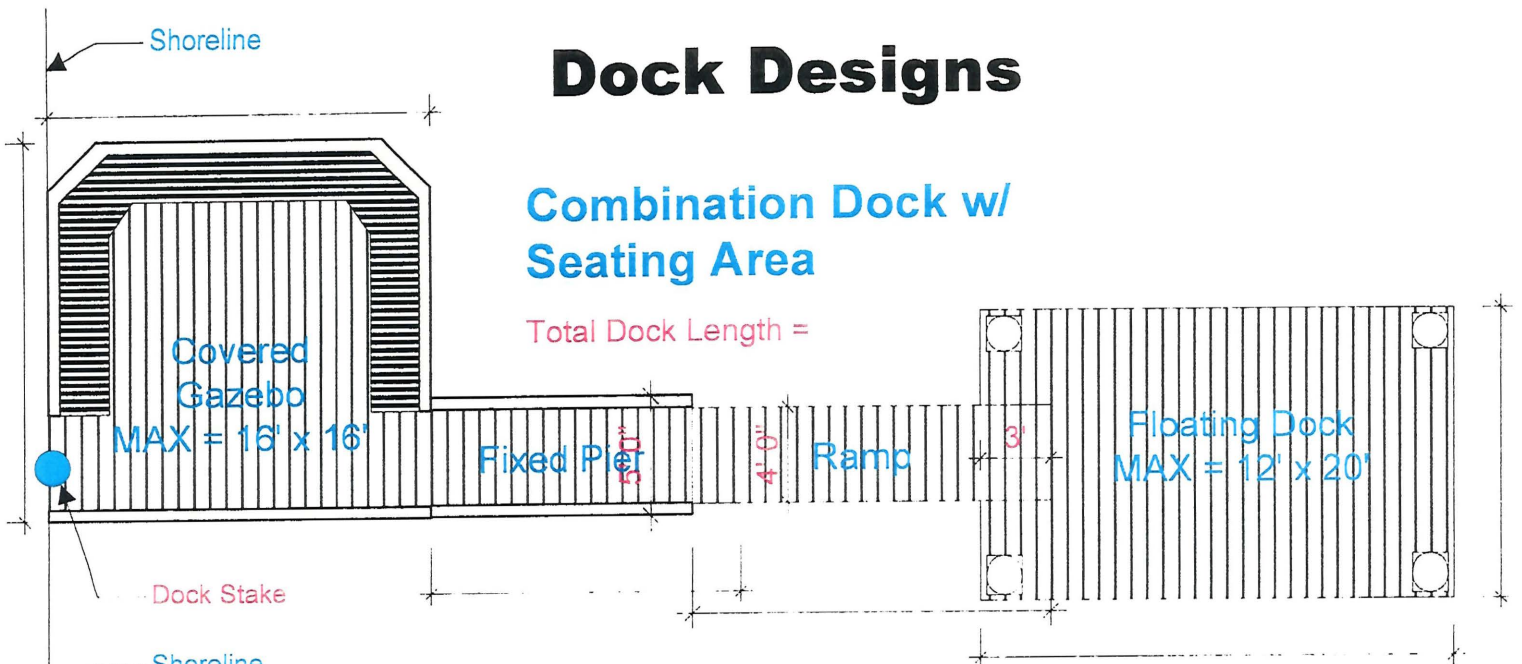
3.11 The Terms of these Permit Conditions shall inure to the benefit of and shall be binding upon the parties, their respective heirs, assigns or successors; provided that this Permit may not be transferred to a third party without prior written permission of the Company.

3.12 If and when the Permittee desires to abandon the activity authorized herein, unless such abandonment is part of a transfer procedure by which the Permittee is transferring his interests herein to a third party, he must restore the area to a condition satisfactory to the Company.

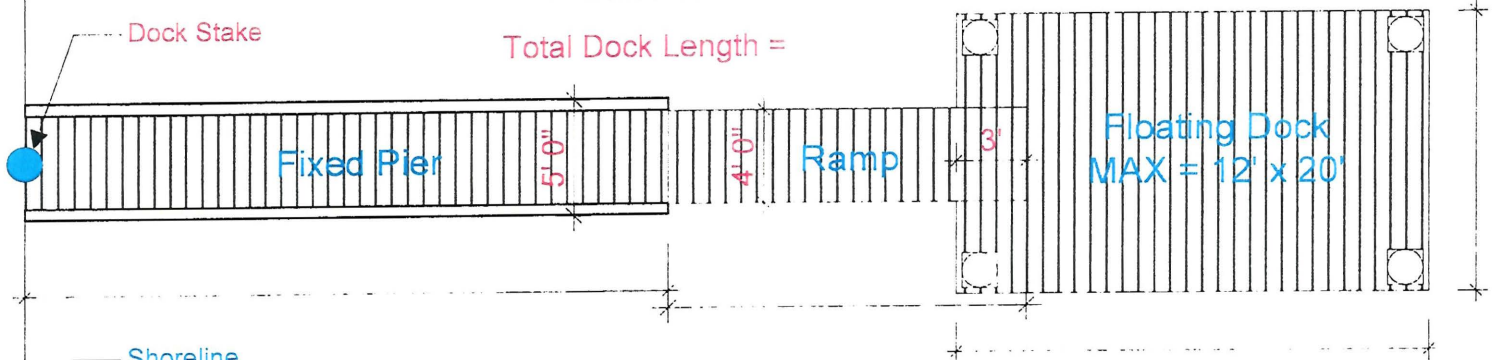
3.13 These Permit Conditions are intended to and do constitute an integral and necessary part of the entire Permit Agreement between the parties and shall be so included by reference upon the execution by the parties of the Permit.

Dock Designs

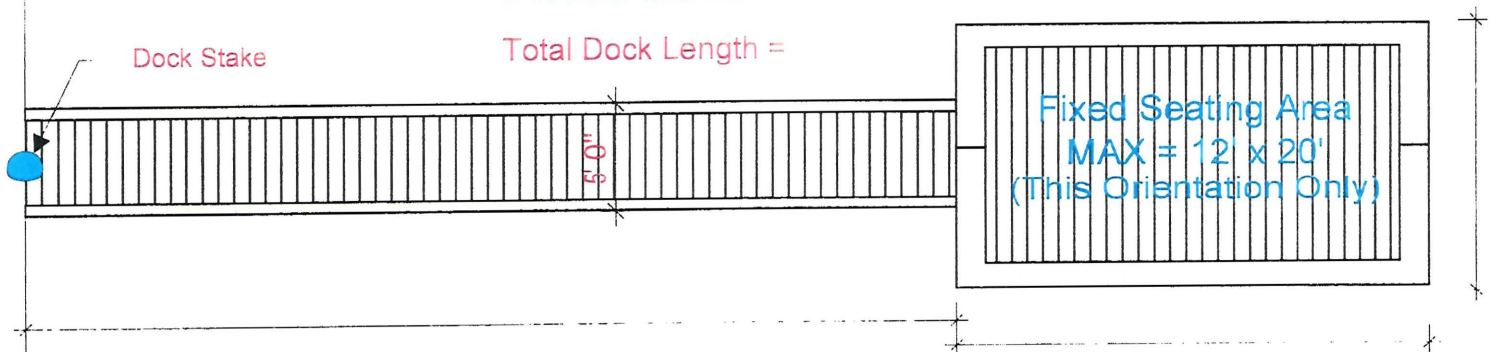
Combination Dock w/ Seating Area



Combination Dock



Fixed Dock



Dominion Energy South Carolina
Lake Management Department

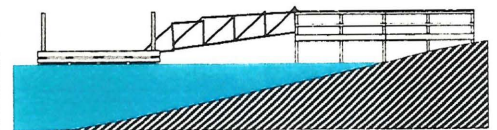


Dominion Energy

Date Approved: _____

Project Representative: _____

Comments: Construct dock as shown. Any modifications to this design must be submitted and approved by a Lake Representative.



Side Profile of Combination Dock