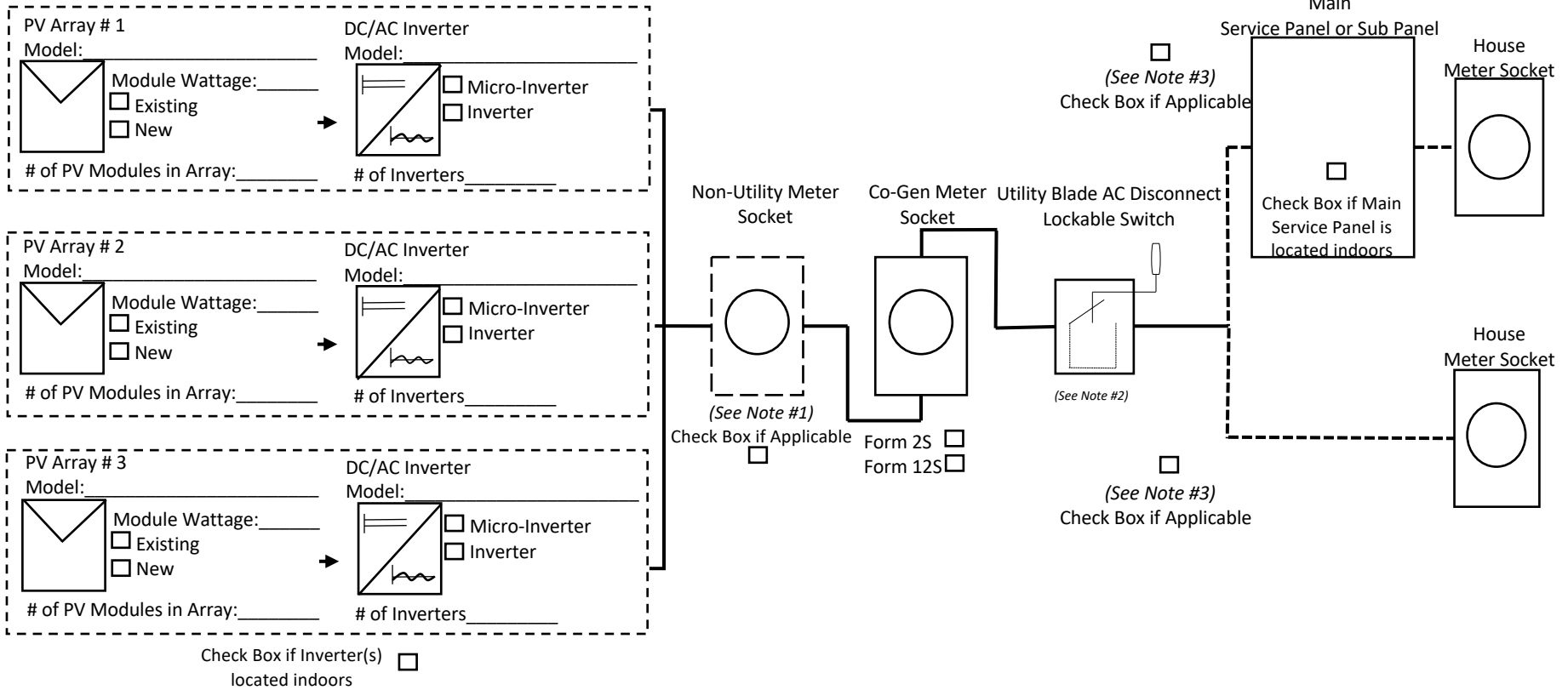


# Single Line Diagram

Fill out this document and upload to PowerClerk in the "Required Documentation" section.



Company Name: \_\_\_\_\_  
 Company Phone: (\_\_\_\_) \_\_\_\_\_  
 Customer Name: \_\_\_\_\_  
 Customer Address: \_\_\_\_\_  
 Customer Phone: (\_\_\_\_) \_\_\_\_\_

**Note:**

1. If required, a Non-Utility Meter Socket may be installed between the PV Modules and the Co-Gen Meter Socket.
2. The PV Disconnect shall be load break rated and shall provide a visible air gap and be lockable in the off position. Locate immediately adjacent to the service meter. It must be accessible to the power company personnel 24/7.
3. Specify the point of common Coupling for the solar and existing house wiring. Check box if Main Service Panel is located indoors.