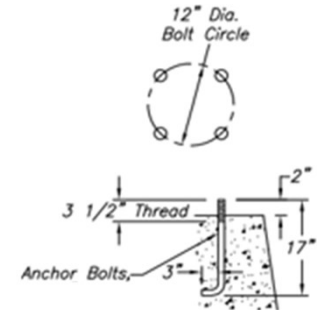


## Decorative Fluted Tapered Aluminum for Post Top Luminaires

Fluted tapered pole with structural Arlen style base constructed of aluminum alloy for single or twin post top luminaires. Poles are available directly embedded or base mounted for use with underground supplied conductors only. Anchor base poles require customer-installed and maintained concrete pole foundations and anchor-bolts.

Light fixtures that match well with this pole include:

- All LED Acorn styles
- All LED Colonial styles
- Premium LED Cutoff styles
- Premium LED Lantern styles



### POLE SPECIFICATIONS

FIXTURE MOUNTING HEIGHT (ft)	TOTAL POLE LENGTH (ft)	BASE DIAMETER (in)	BASE HEIGHT (in)	EMBED or ANCHOR BASE	FINISH COLOR	WMIS CU	POLE ONLY STOCK #
12.0	16.0	17.0	17.0	Embed	Black RAL-9017	PA16ARB	42337639
12.0	16.0	17.0	17.0	Embed	Green RAL-6009	PA16ARM	42337642
14.0	18.0	17.0	17.0	Embed	Black RAL-9005	PA18ARB	42337640
14.0	18.0	17.0	17.0	Embed	Green RAL-6009	PA18ARM	42337643
16.0	20.0	17.0	17.0	Embed	Black RAL-9005	PA20ARB	42337641
16.0	20.0	17.0	17.0	Embed	Green RAL-6009	PA20ARM	42337644
12.0*	12.0	12 inch bolt circle		Anchor	Black RAL-9017	PA12ABAB	42337782
12.0*	12.0	12 inch bolt circle		Anchor	Green RAL-6009	PA12ABAM	42337785
14.0*	14.0	12 inch bolt circle		Anchor	Black RAL-9005	PA14ABAB	42337783
14.0*	14.0	12 inch bolt circle		Anchor	Green RAL-6009	PA14ABAM	42337786
16.0*	16.0	12 inch bolt circle		Anchor	Black RAL-9005	PA16ABAB	42337784
16.0*	16.0	12 inch bolt circle		Anchor	Green RAL-6009	PA16ABAM	42337887

\* Approximate based on height above grade to top of anchor base

Many localities have restrictions on light distribution and placement of outdoor lighting equipment. Consult with your local government before selecting outdoor lighting equipment.





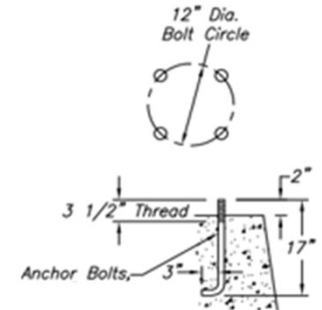
## Outdoor Lighting Pole Specifications

### Decorative Fluted Tapered Aluminum for Post Top Luminaires

Fluted tapered pole with structural York style base constructed of aluminum alloy for single or twin post top luminaires. Poles are available directly embedded or base mounted for use with underground supplied conductors only. Anchor base poles require customer-installed and maintained concrete pole foundations and anchor-bolts.

Light fixtures that match well with this pole include:

- All LED Acorn styles
- All LED Colonial styles
- Premium LED Cutoff styles
- Premium LED Lantern styles



#### POLE SPECIFICATIONS

FIXTURE MOUNTING HEIGHT (ft)	TOTAL POLE LENGTH (ft)	BASE DIAMETER (in)	BASE HEIGHT (in)	EMBED or ANCHOR BASE	FINISH COLOR	WMIS CU	POLE ONLY STOCK #
12.0	16.0	17.0	30.0	Embed	Black RAL-9017	PA16YB	42337645
12.0	16.0	17.0	30.0	Embed	Green RAL-6009	PA16YM	42337868
14.0	18.0	17.0	30.0	Embed	Black RAL-9005	PA18YB	42337646
14.0	18.0	17.0	30.0	Embed	Green RAL-6009	PA18YM	42337869
16.0	20.0	17.0	30.0	Embed	Black RAL-9005	PA20YB	42337867
16.0	20.0	17.0	30.0	Embed	Green RAL-6009	PA20YM	42337870
12.0*	12.0	12 inch bolt circle		Anchor	Black RAL-9017	PA12ABYB	42337888
12.0*	12.0	12 inch bolt circle		Anchor	Green RAL-6009	PA12ABYM	42337891
14.0*	14.0	12 inch bolt circle		Anchor	Black RAL-9005	PA14ABYB	42337889
14.0*	14.0	12 inch bolt circle		Anchor	Green RAL-6009	PA14ABYM	42337892
16.0*	16.0	12 inch bolt circle		Anchor	Black RAL-9005	PA16ABYB	42337890
16.0*	16.0	12 inch bolt circle		Anchor	Green RAL-6009	PA16ABYM	42337893

\* Approximate based on height above grade to top of anchor base

Many localities have restrictions on light distribution and placement of outdoor lighting equipment. Consult with your local government before selecting outdoor lighting equipment.



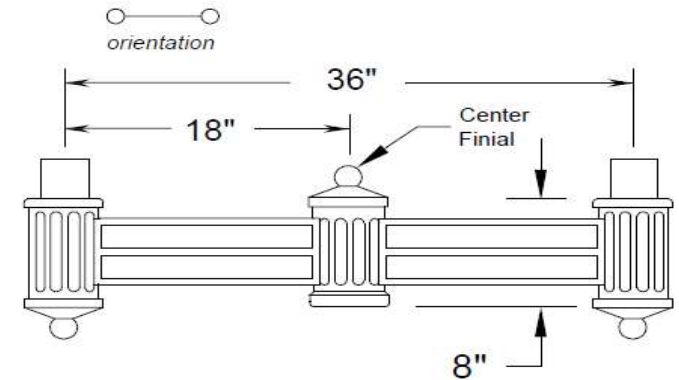
### Decorative Post Top Crossarm for Mounting Twin Post Top Luminaires



Designed for a combination of form and function, these decorative cast aluminum arms constructed of aluminum alloy for twin post top luminaires provide a secure, robust solution while enhancing the beauty of your decorative pole assembly and surrounding environment.

Light fixtures that match well with this pole include:

- All LED Acorn styles
- All LED Colonial styles
- Premium LED Cutoff styles
- Premium LED Lantern styles



#### ARMS FOR ALUMINUM AND COMPOSITE TENON TOP POLES

ARM LENGTH (ft)	MATERIAL	FINISH COLOR	DESCRIPTION	WMIS CU	DE STOCK #
3.0	Aluminum	Black RAL-9017	Decorative Tenon Mount Crossarm Twin Luminaires	BKT3DEC2POS	42291525
3.0	Aluminum	Green RAL-6009	Decorative Tenon Mount Crossarm Twin Luminaires	BKT3DEC2POSG	42315436



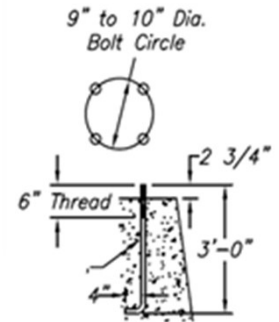
## Outdoor Lighting Pole Specifications

### Smooth Round Tapered Aluminum for Post Top or Side Mounted Luminaires

Smooth round tapered poles with tenon top constructed of aluminum alloy for post top luminaires or side mounted luminaires with tenon adaptor. Poles are available directly embedded or base mounted for use with underground supplied conductors only. Anchor base poles require customer-installed and maintained concrete pole foundations and anchor-bolts.

Light fixtures that match well with this pole include:

- All LED Acorn styles
- All LED Colonial styles
- Basic LED Contemporary
- Basic LED Cobra style
- Basic LED Open Vertical (Area)
- Basic LED Shoebox style



#### POLE SPECIFICATIONS

FIXTURE MOUNTING HEIGHT (ft)	TOTAL POLE LENGTH (ft)	BUTT DIAMETER (in)	GROUNDLINE DIAMETER (in)	EMBED or ANCHOR BASE	FINISH COLOR	WMIS CU	POLE ONLY STOCK #
20.0	24.0	3.5**	6.0	Embed	Natural Aluminum	PA24	42336431
20.0	24.0	3.5**	6.0	Embed	Black RAL-9017	PA24B	42336432
25.0	29.0	4.0**	6.0	Embed	Natural Aluminum	PA29	42336433
25.0	29.0	4.0**	6.0	Embed	Black RAL-9017	PA29B	42336434
20.0*	20.0	9-10 inch bolt circle		Anchor	Natural Aluminum	PA20AB	42336519
20.0*	20.0	9-10 inch bolt circle		Anchor	Black RAL-9017	PA20ABB	42336521
25.0*	25.0	9-10 inch bolt circle		Anchor	Natural Aluminum	PA25AB	42336520
25.0*	25.0	9-10 inch bolt circle		Anchor	Black RAL-9017	PA25ABB	42336522

\* Approximate based on height above grade to top of anchor base

\*\* Butt of pole is flattened to serve as anti-rotational device



## Outdoor Lighting Pole Specifications

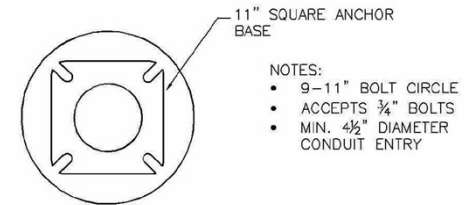
### Decorative Round Tapered Composite for Post Top Luminaires



Round tapered composite poles with slip over base constructed of heavy duty fiberglass reinforced pigmented polyester resin with a decorative base for single or twin post top luminaire. Poles are available directly embedded or base mounted for use with underground supplied conductors only. Anchor base poles require customer-installed and maintained concrete pole foundations and anchor-bolts.

Light fixtures that match well with this pole include:

- All LED Acorn styles
- All LED Colonial styles
- Premium LED Cutoff styles
- Premium LED Lantern styles



#### POLE SPECIFICATIONS

FIXTURE MOUNTING HEIGHT (ft)	TOTAL POLE LENGTH (ft)	BASE DIAMETER (in)	BASE HEIGHT (in)	EMBED or ANCHOR BASE	FINISH COLOR	WMIS CU	POLE ONLY STOCK #
12.0	15.0	20.0	48.0	Embed	Black RAL-9017	PDF15	42062740
14.0	18.0	20.0	48.0	Embed	Black RAL-9017	PDF18	42062741
16.0	20.0	20.0	48.0	Embed	Black RAL-9017	PDF20	42339566
12.0*	12.0	9-11 inch bolt circle		Anchor	Black RAL-9017	PDF12AB	42062742
14.0*	14.0	9-11 inch bolt circle		Anchor	Black RAL-9017	PDF14AB	42062743
16.0*	16.0	9-11 inch bolt circle		Anchor	Black RAL-9017	PDF16AB	42339425

\* Approximate based on height above grade to top of anchor base



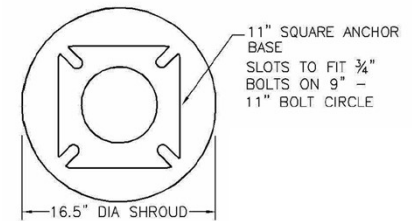
## Outdoor Lighting Pole Specifications

### Decorative Fluted Tapered Composite for Post Top Luminaires

Fluted tapered composite poles with slip over base constructed of heavy duty fiberglass reinforced pigmented polyester resin with a decorative base for single or twin post top luminaires. Poles are available directly embedded or base mounted for use with underground supplied conductors only. Anchor base poles require customer-installed and maintained concrete pole foundations and anchor-bolts.

Light fixtures that match well with this pole include:

- All LED Acorn styles
- All LED Colonial styles
- Premium LED Cutoff styles
- Premium LED Lantern styles



### POLE SPECIFICATIONS

FIXTURE MOUNTING HEIGHT (ft)	TOTAL POLE LENGTH (ft)	BASE DIAMETER (in)	BASE HEIGHT (in)	EMBED or ANCHOR BASE	FINISH COLOR	WMIS CU	POLE ONLY STOCK #
10.0	13.0	16.5	20.0	Embed	Black RAL-9017	PFF13	50498500
12.0	15.0	16.5	20.0	Embed	Black RAL-9017	PFF15	50499000
12.0	15.0	16.5	20.0	Embed	Green RAL-6009	PFF15GN	42062744
14.0	18.0	16.5	20.0	Embed	Black RAL-9017	PFF18	50499200
14.0	18.0	16.5	20.0	Embed	Green RAL-6009	PFF18GN	42062745
10.0*	10.0	9-11 inch bolt circle		Anchor	Black RAL-9017	PFF10AB	50497900
12.0*	12.0	9-11 inch bolt circle		Anchor	Black RAL-9017	PFF12AB	50498100
12.0*	12.0	9-11 inch bolt circle		Anchor	Green RAL-6009	PFF12ABGN	42062746
14.0*	14.0	9-11 inch bolt circle		Anchor	Black RAL-9017	PFF14AB	50498300
14.0*	14.0	9-11 inch bolt circle		Anchor	Green RAL-6009	PFF14ABGN	42062757

\* Approximate based on height above grade to top of anchor base

Many localities have restrictions on light distribution and placement of outdoor lighting equipment. Consult with your local government before selecting outdoor lighting equipment.





## Outdoor Lighting Pole Specifications

### Smooth Round Tapered Composite for Post Top Luminaires



Smooth round tapered composite poles constructed of heavy duty fiberglass reinforced pigmented polyester resin for single pole top luminaires. Poles are directly embedded for use with underground supplied conductors only.

Light fixtures that match well with this pole include:

- All LED Acorn styles
- All LED Colonial styles
- Premium LED Cutoff styles
- Premium LED Lantern styles

#### POLE SPECIFICATIONS

FIXTURE MOUNTING HEIGHT (ft)	TOTAL POLE LENGTH (ft)	BUTT DIAMETER (in)	GROUNDLINE DIAMETER (in)	EMBED or ANCHOR BASE	FINISH COLOR	WMIS CU	POLE ONLY STOCK #
8.0	11.0	5.2	4.7	Embed	Black RAL-9017	PF11	50499800
10.0	13.0	5.6	5.0	Embed	Black RAL-9017	PF13	50500000
12.0	16.0	6.3	5.4	Embed	Black RAL-9017	PF16	42124132
14.0	18.0	6.7	5.8	Embed	Black RAL-9017	PF18	50501000



## Outdoor Lighting Pole Specifications

### Decorative Fluted Tapered Concrete for Post Top Luminaires

Fluted tapered concrete pole has a natural concrete finish for single or twin post top luminaires. Poles are pre-stressed spun concrete and are directly embedded for use with underground supplied conductors only.

Light fixtures that match well with this pole include:

- All LED Acorn styles
- All LED Colonial styles
- Premium LED Cutoff styles
- Premium LED Lantern styles

Eclipse Black



Pearl Gray



PSE Green



### POLE SPECIFICATIONS

FIXTURE MOUNTING HEIGHT (ft)	TOTAL POLE LENGTH (ft)	EMBED or ANCHOR BASE	BUTT DIAMETER (in)	MINIMUM BOLT PROJECTION (in)	FINISH COLOR	WMIS CU	POLE ONLY STOCK #
14.0	18.0	Embed	8.0	N/A	Black	PC17B	42349233
14.0	18.0	Embed	8.0	N/A	Gray	PC17G	42349228
14.0	18.0	Embed	8.0	N/A	Green	PC17M	42349230
16.0	20.0	Embed	8.0	N/A	Black	PC23B	42349293
16.0	20.0	Embed	8.0	N/A	Gray	PC23G	42349294
16.0	20.0	Embed	8.0	N/A	Green	PC23M	42349295

Many localities have restrictions on light distribution and placement of outdoor lighting equipment. Consult with your local government before selecting outdoor lighting equipment.





## Outdoor Lighting Pole Specifications

### Smooth Round Tapered Concrete for Post Top Luminaires



Smooth round tapered poles with a natural etched concrete finish for single pole top luminaires. Poles are pre-stressed spun concrete and are directly embedded for use with underground supplied conductors only.

Light fixtures that match well with this pole include:

- Basic LED Contemporary (best match)
- Basic LED Acorn styles
- Basic LED Colonial styles

#### POLE SPECIFICATIONS

FIXTURE MOUNTING HEIGHT (ft)	TOTAL POLE LENGTH (ft)	BUTT DIAMETER (in)	GROUNDLINE DIAMETER (in)	EMBED or ANCHOR BASE	FINISH COLOR	WMIS CU	POLE ONLY STOCK #
10.0	13.0	5.3	4.8	Embed	Natural Concrete	PC130002	50511300
14.0	18.0	6.7	6.1	Embed	Natural Concrete	PC180005	50511500



## Outdoor Lighting Pole Specifications

### Smooth Round Tapered Aluminum Direct Embed for Side Mounted Luminaires



Smooth round tapered poles constructed of aluminum alloy for side mounted luminaires. Single arm or two arms at 180 degrees. Poles are directly embedded for use with underground supplied conductors only.

Light fixtures that match well with this pole include:

- Basic LED Cobra style
- Basic LED Open Vertical (Area)
- Basic LED Shoebox style

**SMOOTH ROUND EMBED ALUMINUM POLE SPECIFICATIONS (FOR SIDE MOUNTED LUMINAIRES)**

ARM MOUNTING HEIGHT (ft)	TOTAL POLE LENGTH (ft)	EMBED or ANCHOR BASE	BUTT DIAMETER* (in)	GROUNDLINE DIAMETER (in)	MINIMUM BOLT PROJECTION (in)	FINISH COLOR	WMIS CU	POLE ONLY STOCK #
17.0	22.0	Embed	4.5	8.0	N/A	Natural Aluminum	PA22	42336282
17.0	22.0	Embed	4.5	8.0	N/A	Black RAL-9017	PA22B	42336283
22.0	27.0	Embed	4.5	8.0	N/A	Natural Aluminum	PA27	42336284
22.0	27.0	Embed	4.5	8.0	N/A	Black RAL-9017	PA27B	42336285
27.0	33.0	Embed	4.5	10.0	N/A	Natural Aluminum	PA33	42336286
27.0	33.0	Embed	4.5	10.0	N/A	Black RAL-9017	PA33B	42336297
32.0	38.0	Embed	4.5	10.0	N/A	Natural Aluminum	PA38	42336298
32.0	38.0	Embed	4.5	10.0	N/A	Black RAL-9017	PA38B	42336299
37.0	43.0	Embed	4.5	10.0	N/A	Natural Aluminum	PA43	42336300
37.0	43.0	Embed	4.5	10.0	N/A	Black RAL-9017	PA43B	42336301

\* Butt of pole is flattened to serve as anti-rotational device



## Outdoor Lighting Pole Specifications

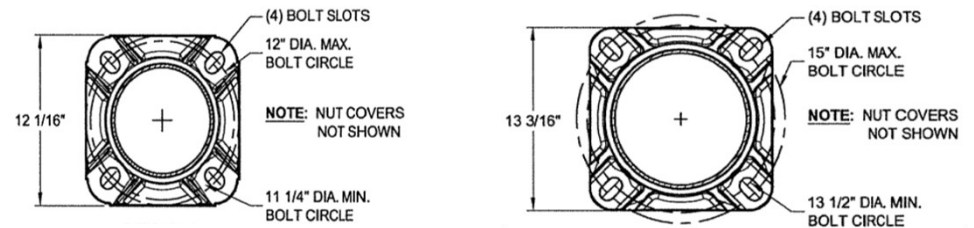
### Smooth Round Tapered Aluminum Anchor Base for Side Mounted Luminaires



Smooth round tapered poles constructed of aluminum alloy for side mounted luminaires. Single arm or two arms at 180 degrees. Poles are base mounted for use with underground supplied conductors only. Anchor base poles require customer-installed and maintained concrete pole foundations and anchor-bolts.

Light fixtures that match well with this pole include:

- Basic LED Cobra style
- Basic LED Open Vertical (Area)
- Basic LED Shoebox style



FIXTURE MOUNTING HEIGHT (ft)	TOTAL POLE LENGTH* (ft)	ANCHOR BASE BOLT HOLE PATTERN	EMBED or ANCHOR BASE	FINISH COLOR	WMIS CU	POLE ONLY STOCK #
17.0	17.0	11.25-12 inch bolt circle	Anchor	Natural Aluminum	PA17AB	42336287
17.0	17.0	11.25-12 inch bolt circle	Anchor	Black RAL-9017	PA17ABB	42336289
22.0	22.0	11.25-12 inch bolt circle	Anchor	Natural Aluminum	PA22AB	42336288
22.0	22.0	11.25-12 inch bolt circle	Anchor	Black RAL-9017	PA22ABB	42336290
27.0	27.0	13.5-15 inch bolt circle	Anchor	Natural Aluminum	PA27AB	50491500
27.0	27.0	13.5-15 inch bolt circle	Anchor	Black RAL-9017	PA27ABB	42336291
32.0	32.0	13.5-15 inch bolt circle	Anchor	Natural Aluminum	PA32AB	50491800
32.0	32.0	13.5-15 inch bolt circle	Anchor	Black RAL-9017	PA32ABB	42336292
37.0	37.0	13.5-15 inch bolt circle	Anchor	Natural Aluminum	PA37AB	50492100
37.0	37.0	13.5-15 inch bolt circle	Anchor	Black RAL-9017	PA37ABB	42336293

\* Approximate based on height above grade to top of anchor base



## Outdoor Lighting Pole Specifications

### Aluminum Mast Arms, Truss Arms and Adaptors for Aluminum Poles

Mast Arm

Two Member Truss Arm

#### ALUMINUM ARMS FOR ALUMINUM POLES

ARM LENGTH (ft)	ARM RISE (in)	FINISH COLOR	DESCRIPTION	WMIS CU	DE STOCK #
4.0	36.0	Satin Aluminum	Single Member Upsweep Mast Arm	BKTMA4FT	42336175
4.0	36.0	Black RAL-9017	Single Member Upsweep Mast Arm	BKTMA4FTB	42336176
6.0	39.0	Satin Aluminum	Single Member Upsweep Mast Arm	BKTMA6FT	66087300
6.0	39.0	Black RAL-9017	Single Member Upsweep Mast Arm	BKTMA6FTB	42335028
8.0	39.0	Satin Aluminum	Two Member Upsweep Truss Arm	BKTMA8FT	66088200
8.0	39.0	Black RAL-9017	Two Member Upsweep Truss Arm	BKTMA8FTB	42335030
10.0	39.0	Satin Aluminum	Two Member Upsweep Truss Arm	BKTMA10FT	66088800
10.0	39.0	Black RAL-9017	Two Member Upsweep Truss Arm	BKTMA10FTB	42335031
12.0	39.0	Satin Aluminum	Two Member Upsweep Truss Arm	BKTMA12FT	66089100
12.0	39.0	Black RAL-9017	Two Member Upsweep Truss Arm	BKTMA12FTB	42335032

#### TENON ADAPTORS FOR TENON TOP ALUMINUM POLES

ARM LENGTH (ft)	ARM RISE (in)	FINISH COLOR	DESCRIPTION	WMIS CU	DE STOCK #
0.8	N/A	Satin Aluminum	Tenon Adaptor For Single Side Mount Luminaire	BKTTMA	42343049
0.8	N/A	Black RAL-9017	Tenon Adaptor For Single Side Mount Luminaire	BKTTMAB	42343050
2.0	8.0	Satin Aluminum	Tenon Adaptor For Two Side Mount Luminaires	BKTTMA2T	42343051
2.0	8.0	Black RAL-9017	Tenon Adaptor For Two Side Mount Luminaires	BKTTMA2TB	42343052
4.0	18.0	Satin Aluminum	Tenon Adaptor For Two Side Mount Luminaires	BKTTMA4T	42343053
4.0	18.0	Black RAL-9017	Tenon Adaptor For Two Side Mount Luminaires	BKTTMA4TB	42343054
N/A	N/A	Gray RAL-7038	Tenon Adaptor for Expressway Luminaires	LEXADAPTOR	42059940
N/A	N/A	Black RAL-9017	Tenon Adaptor for Expressway Luminaires	LEXADAPTORB	42338144

Many localities have restrictions on light distribution and placement of outdoor lighting equipment. Consult with your local government before selecting outdoor lighting equipment.



## Outdoor Lighting Pole Specifications

### Dark Bronze Aluminum for Decorative Shoebox Luminaires

Smooth round tapered poles constructed of aluminum alloy with a Dark Bronze finish matching the Decorative Shoebox luminaires. Mount up to four fixtures with optional tenon adaptors. Poles are available directly embedded or base mounted for use with underground supplied conductors only. Anchor base poles require customer-installed and maintained concrete pole foundations and anchor-bolts.

#### POLE SPECIFICATIONS

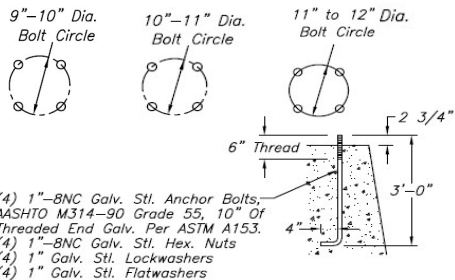
FIXTURE MOUNTING HEIGHT (ft)	TOTAL POLE LENGTH (ft)	BUTT DIAMETER (in)	GROUNDLINE DIAMETER (in)	EMBED or ANCHOR BASE	FINISH COLOR	WMIS CU	POLE ONLY STOCK #
20.0	24.0	3.5**	6.0	Embed	Dark Bronze RAL-8019	PA24DB	42332147
25.0	29.0	4.0**	6.0	Embed	Dark Bronze RAL-8019	PA29DB	42332239
30.0	35.0	4.0**	7.0	Embed	Dark Bronze RAL-8019	PA35DB	42332238
35.0	40.0	4.5**	8.0	Embed	Dark Bronze RAL-8019	PA40DB	42332148
40.0	45.0	4.5**	8.0	Embed	Dark Bronze RAL-8019	PA45DB	42332149
20.0*	20.0	9-10 inch bolt circle		Anchor	Dark Bronze RAL-8019	PA20ABDB	42144856
25.0*	25.0	9-10 inch bolt circle		Anchor	Dark Bronze RAL-8019	PA25ABDB	42332242
30.0*	30.0	10-11 inch bolt circle		Anchor	Dark Bronze RAL-8019	PA30ABDB	42332243
35.0*	35.0	11-12 inch blot circle		Anchor	Dark Bronze RAL-8019	PA35ABDB	42144857
40.0*	40.0	11-12 inch blot circle		Anchor	Dark Bronze RAL-8019	PA40ABDB	42144858

\* Approximate based on height above grade to top of anchor base

\*\* Butt of pole is flattened to serve as anti-rotational device

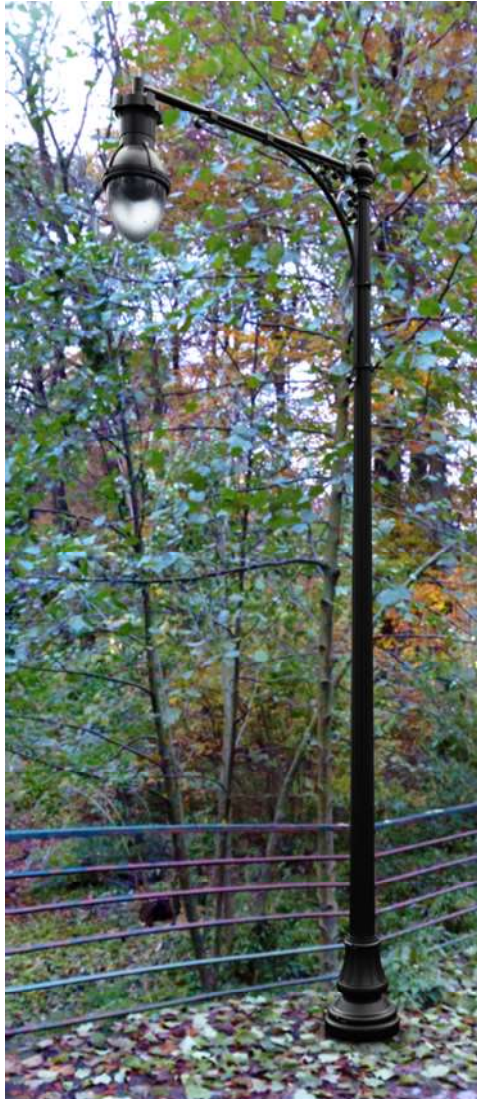
#### TENON ADAPTORS FOR MOUNTING DECORATIVE SHOEBOX FIXTURES

ARM LENGTH (ft)	MATERIAL	FINISH COLOR	DESCRIPTION	WMIS CU	POLE ONLY STOCK #
N/A	Aluminum	Dark Bronze RAL-8019	Single Decorative Shoebox Fixture	BKTTMS	42334557
N/A	Aluminum	Dark Bronze RAL-8019	Two Decorative Shoebox Fixtures Mounted 180° Apart.	BKTTMD180	42334558
N/A	Aluminum	Dark Bronze RAL-8019	Two Decorative Shoebox Fixtures Mounted 90° Apart.	BKTTMD90	42334559
N/A	Aluminum	Dark Bronze RAL-8019	Three Decorative Shoebox Fixtures Mounted 120° Apart.	BKTTMT120	42334560
N/A	Aluminum	Dark Bronze RAL-8019	Four Decorative Shoebox Fixtures Mounted 90° Apart.	BKTTMQ90	42334561



Many localities have restrictions on light distribution and placement of outdoor lighting equipment. Consult with your local government before selecting outdoor lighting equipment.

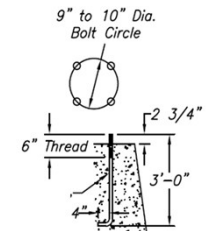
## Decorative Fluted Aluminum for Teardrop or Side Mounted Luminaires



Fluted tapered “Fort Monroe” poles constructed of aluminum alloy for Teardrop or side mounted luminaires. Poles are available directly embedded or base mounted for use with underground supplied conductors only. Anchor base poles require customer-installed and maintained concrete pole foundations and anchor-bolts.

Light fixtures that match well with this pole include:

- Premium LED Teardrop styles
- Basic LED Shoebox styles



### POLE SPECIFICATIONS

FIXTURE MOUNTING HEIGHT (ft)	TOTAL POLE LENGTH* (ft)	BUTT DIAMETER (in)	GROUNDLINE DIAMETER (in)	EMBED or ANCHOR BASE	FINISH COLOR	WMIS CU	POLE ONLY STOCK #
16.0	20.0	6.0	6.0	Embed	Black RAL-9017	PA20FM	42341570
18.0	22.0	6.0	6.0	Embed	Black RAL-9017	PA22FM	42341571
20.0	24.0	6.0	6.0	Embed	Black RAL-9017	PA24FM	42341572
16.0	16.0	9-10 inch bolt circle		Anchor	Black RAL-9017	PA16ABFM	42341573
18.0	18.0	9-10 inch bolt circle		Anchor	Black RAL-9017	PA18ABFM	42341575
20.0	20.0	9-10 inch bolt circle		Anchor	Black RAL-9017	PA20ABFM	42341576

\* Approximate based on height above grade to top of anchor base

### ARMS FOR ALUMINUM FORT MONROE POLES

ARM LENGTH (ft)	ARM RISE (in)	FINISH COLOR	DESCRIPTION	WMIS CU	DE STOCK #
4.0	N/A	Black RAL-9017	Single Member Decorative Pipe Arm	BKTPA4FT	42342998
6.0	N/A	Black RAL-9017	Single Member Decorative Pipe Arm	BKTPA6FT	42342999



## Decorative Urbanscape Roadway and Pedestrian for Two Luminaires

Fluted tapered “Urbanscape” poles constructed of aluminum alloy for Teardrop or side mounted luminaires for roadway applications and side mounted or post top mounted luminaires for pedestrian applications. Poles are directly embedded for use with underground supplied conductors only.

Light fixtures that match well with this pole include:

### Roadway

- Premium LED Teardrop style
- Basic LED Shoebox style
- Basic LED Cobra style

### Pedestrian

- Premium LED Acorn style
- Premium LED Colonial style
- Premium LED Cutoff style
- Premium LED Lantern style
- Premium LED Teardrop style

### POLE SPECIFICATIONS

UPPER FIXTURE MOUNTING	LOWER FIXTURE MOUNTING	TOTAL POLE LENGTH (ft)	BUTT DIAMETER (in)	GROUNDLINE DIAMETER (in)	MINIMUM BOLT PROJECTION (in)	FINISH COLOR	WMIS CU	POLE ONLY STOCK #
30.0	16.0	35.0	4.0**	8.0	N/A	Black RAL-9017	PA35BUD	42346756
30.0*	16.0*	30.0	11-12 inch bolt circle		2.75	Black RAL-9017	PA30ABBUD	42346777

\* Approximate based on height above grade to top of anchor base

\*\* Butt of pole is flattened to serve as anti-rotational device

### UPPER ARMS FOR ALUMINUM DECORATIVE URBANSCAPE POLES

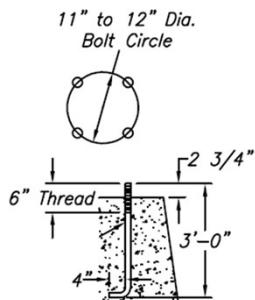
ARM LENGTH (ft)	ARM RISE (in)	FINISH COLOR	DESCRIPTION	WEIGHT (lbs)	EPA	WMIS CU	DE STOCK #
4.0	N/A	Black RAL-9017	Single Member Decorative Pipe Arm	26.0	1.83	BKTPA4FT	42342998
6.0	N/A	Black RAL-9017	Single Member Decorative Pipe Arm	34.0	2.3	BKTPA6FT	42342999

### LOWER ARMS FOR ALUMINUM DECORATIVE URBANSCAPE POLES

ARM LENGTH (ft)	ARM RISE (in)	FINISH COLOR	DESCRIPTION	WEIGHT (lbs)	EPA	WMIS CU	DE STOCK #
2.2	N/A	Black RAL-9017	Single Member Decorative Pipe Arm	N/A	N/A	BKTT02FTBUD	42346555
2.2	N/A	Black RAL-9017	Single Member Decorative Pipe Arm with Tenon	N/A	N/A	BKT02FTBUD	42346556

### BANNER ARMS FOR DECORATIVE URBANSCAPE POLES

ARM LENGTH (ft)	ARM RISE (in)	FINISH COLOR	DESCRIPTION	WEIGHT (lbs)	EPA	WMIS CU	DE STOCK #
2.0	N/A	Black RAL-9017	Two Banner Arms to Mount in Breakaway Coupling	N/A	N/A	BKTBUD	42346755



### Decorative Smooth Aluminum for Waterside Teardrop Luminaires

Smooth tapered “Waterside” poles constructed of aluminum alloy for Waterside Teardrop luminaires. Poles are available directly embedded or base mounted for use with underground supplied conductors only. Anchor base poles require customer-installed and maintained concrete pole foundations and anchor-bolts. The poles and arms are designed for specific use with the Waterside Teardrop luminaire. The receptacle for the Network Lighting Controller (NLC) is located on the tenon of the Bishop’s Crook arm. The arm is pre-wired with leads for quick connect to the luminaire.

Light fixtures for use with this pole:

- 70W EQ Premium Waterside Teardrop on 18’ pole
- 100W EQ Premium Waterside Teardrop on 21’ pole
- 150W EQ Premium Waterside Teardrop on 24’ pole

#### POLE SPECIFICATIONS

FIXTURE MOUNTING HEIGHT (ft)	TOTAL POLE LENGTH* (ft)	EMBED or ANCHOR BASE	BUTT DIAMETER (in)	GROUNDLINE DIAMETER (in)	MINIMUM BOLT PROJECTION (in)	FINISH COLOR	WMIS CU	POLE ONLY STOCK #
18.0	23.0	Embed	6.0	6.0	N/A	Black RAL-9017	42408633	PA23WSB
18.0	23.0	Embed	6.0	6.0	N/A	Green RAL-6009	42408634	PA23WSM
18.0	23.0	Embed	6.0	6.0	N/A	Silver RAL-9006	42408635	PA23WSS
21.0	26.0	Embed	6.0	6.0	N/A	Black RAL-9017	42408636	PA26WSB
21.0	26.0	Embed	6.0	6.0	N/A	Green RAL-6009	42408637	PA26WSM
21.0	26.0	Embed	6.0	6.0	N/A	Silver RAL-9006	42408638	PA26WSS
24.0	29.0	Embed	6.0	6.0	N/A	Black RAL-9017	42408639	PA29WSB
24.0	29.0	Embed	6.0	6.0	N/A	Green RAL-6009	42408640	PA29WSM
24.0	29.0	Embed	6.0	6.0	N/A	Silver RAL-9006	42408641	PA29WSS
18.0	18.0	Anchor	9-10 inch bolt circle		2.75	Black RAL-9017	42408624	PA18ABWSB
18.0	18.0	Anchor	9-10 inch bolt circle		2.75	Green RAL-6009	42408625	PA18ABWSM
18.0	18.0	Anchor	9-10 inch bolt circle		2.75	Silver RAL-9006	42408626	PA18ABWSS
21.0	21.0	Anchor	9-10 inch bolt circle		2.75	Black RAL-9017	42408627	PA21ABWSB
21.0	21.0	Anchor	9-10 inch bolt circle		2.75	Green RAL-6009	42408628	PA21ABWSM
21.0	21.0	Anchor	9-10 inch bolt circle		2.75	Silver RAL-9006	42408629	PA21ABWSS
24.0	24.0	Anchor	9-10 inch bolt circle		2.75	Black RAL-9017	42408630	PA24ABWSB
24.0	24.0	Anchor	9-10 inch bolt circle		2.75	Green RAL-6009	42408631	PA24ABWSM
24.0	24.0	Anchor	9-10 inch bolt circle		2.75	Silver RAL-9006	42408632	PA24ABWSS

Many localities have restrictions on light distribution and placement of outdoor lighting equipment. Consult with your local government before selecting outdoor lighting equipment.







## Outdoor Lighting Pole Specifications

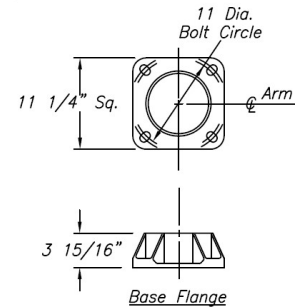
### Smooth Round Tapered Aluminum Bridge for Side Mounted Luminaires



Smooth round tapered poles constructed of aluminum alloy with a brushed aluminum finish with vibration dampening for use on bridge decks with side mounted luminaires. Poles are base mounted for use with underground supplied conductors only. Anchor base poles require customer-installed and maintained foundations and anchor-bolts.

Light fixtures that match well with this pole include:

- Basic LED Cobra style
- Basic LED Shoebox style



#### POLE SPECIFICATIONS

ARM MOUNTING HEIGHT (ft)	TOTAL POLE LENGTH (ft)	ANCHOR BASE BOLT HOLE PATTERN	EMBED or ANCHOR BASE	FINISH COLOR	WMIS CU	POLE ONLY STOCK #
27.0	27.0	11 inch bolt circle	Anchor	Natural Aluminum	PA27BR	50489800
27.0	27.0	11 inch bolt circle	Anchor	Black RAL-9017	PA27BRB	42336119

#### ARMS FOR ALUMINUM BRIDGE POLES

ARM LENGTH (ft)	MATERIAL	FINISH COLOR	DESCRIPTION	WMIS CU	POLE ONLY STOCK #
6.0	Aluminum	Natural Aluminum	Two member truss arm	BKTBRMA6FT	66087000
6.0	Aluminum	Black RAL-9017	Two member truss arm	BKTBRMA6FTB	42336257
8.0	Aluminum	Natural Aluminum	Two member truss arm	BKTBRMA8FT	66088000
8.0	Aluminum	Black RAL-9017	Two member truss arm	BKTBRMA8FTB	42336258



## Outdoor Lighting Pole Specifications

### Smooth Round Tapered Gray Composite for Side Mounted Luminaires



Smooth round tapered composite poles constructed of heavy duty fiberglass reinforced pigmented polyester resin for side mounted luminaires. Single arm or two arms at 180 degrees. Arm length is limited. Poles are directly embedded for use with underground supplied conductors only. Also available with post top tenon for mounting Expressway fixtures.

Light fixtures that match well with this pole include:

- Basic LED Cobra style
- Basic LED Directional Flood
- Basic LED Open Vertical (Area)
- Basic LED Shoebox style
- Premium LED Expressway

#### POLE SPECIFICATIONS

ARM MOUNTING HEIGHT (ft)	TOTAL POLE LENGTH (ft)	BUTT DIAMETER (in)	GROUNDLINE DIAMETER (in)	EMBED or ANCHOR BASE	FINISH COLOR	WMIS CU	POLE ONLY STOCK #
23.0	30.0	13.0	11.7	Embed	Gray RAL-7038	PF30	50502000
28.0	35.0	14.1	12.8	Embed	Gray RAL-7038	PF35	50502300
33.0	40.0	15.0	13.7	Embed	Gray RAL-7038	PF40	50502600
38.0	45.0	16.3	14.8	Embed	Gray RAL-7038	PF45	50502900
23.7*	29.7	13.3	11.6	Embed	Gray RAL-7038	PFT30	50503500*
29.0*	35.0	14.1	12.8	Embed	Gray RAL-7038	PFT35	50503700*
33.5*	39.0	15.0	13.7	Embed	Gray RAL-7038	PFT40	50503900*
38.7*	45.0	16.3	14.8	Embed	Gray RAL-7038	PFT45	50504100*

\* Pole top tenon for mounting expressway fixtures



## Outdoor Lighting Pole Specifications

### Smooth Round Tapered Black Composite for Side Mounted Luminaires



Smooth round tapered composite poles constructed of heavy duty fiberglass reinforced pigmented polyester resin for side mounted luminaires. Single arm or two arms at 180 degrees. Arm length is limited. Poles are directly embedded for use with underground supplied conductors only.

Light fixtures that match well with this pole include:

- Basic LED Cobra style
- Basic LED Directional Flood style
- Basic LED Open Vertical (Area)
- Basic LED Shoebox style
- Premium LED Expressway

#### POLE SPECIFICATIONS

ARM MOUNTING HEIGHT (ft)	TOTAL POLE LENGTH (ft)	BUTT DIAMETER (in)	GROUNDLINE DIAMETER (in)	EMBED or ANCHOR BASE	FINISH COLOR	WMIS CU	POLE ONLY STOCK #
23.0	30.0	13.0	11.7	Embed	Black RAL-9017	PF30BK	42206792
28.0	35.0	14.1	12.8	Embed	Black RAL-9017	PF35BK	42206793
33.0	40.0	15.0	13.7	Embed	Black RAL-9017	PF40BK	42206794
38.0	45.0	16.3	14.8	Embed	Black RAL-9017	PF45BK	42206795



## Outdoor Lighting Pole Specifications

### Smooth Round Tapered Light Duty Concrete for Side Mounted Luminaires



Smooth round tapered concrete poles with a natural etched concrete finish for side mounted luminaires. Poles are directly embedded for use with underground supplied conductors. Single arm or two arms at 180 degrees. Arm length is limited.

Light fixtures that match well with this pole include:

- Basic LED Cobra style
- Basic LED Directional Flood style
- Basic LED Open Vertical (Area)
- Basic LED Shoebox style
- Premium LED Expressway

#### POLE SPECIFICATIONS - LIGHT DUTY

ARM MOUNTING HEIGHT (ft)	TOTAL POLE LENGTH (ft)	BUTT DIAMETER (in)	POLE GRADE	EQUIVALENT WOOD POLE CLASS	FINISH COLOR	WMIS CU	POLE ONLY STOCK #
23.0	30.0	10.2	B	6	Natural Concrete	PC30002	50513100
23.0	30.0	11.9	D	4	Natural Concrete	PC30003	50513600
28.0	35.0	14.1	B	6	Natural Concrete	PC35002	50515500
28.0	35.0	12.8	D	4	Natural Concrete	PC35004	50516000
33.0	40.0	13.7	D	4	Natural Concrete	PC40004	50517500
38.0	45.0	14.6	C	5	Natural Concrete	PC45045	50517800



## Outdoor Lighting Pole Specifications

### Smooth Round Tapered Heavy Duty Concrete for Side Mounted Luminaires

Smooth round tapered heavy duty concrete poles with a natural etched concrete finish for extra length arm brackets for side mounted luminaires. Poles are directly embedded for use with underground supplied conductors. Single arm or two arms at 180 degrees.

Heavy duty poles have a larger diameter and pole class and used with extended length arm brackets (16', 20' arms) without additional pole guying.

Light fixtures that match well with this pole include:

- Basic LED Cobra style
- Basic LED Directional Flood style
- Basic LED Open Vertical (Area)
- Basic LED Shoebox style
- Premium LED Expressway



#### POLE SPECIFICATIONS - HEAVY DUTY

ARM MOUNTING HEIGHT (ft)	TOTAL POLE LENGTH (ft)	BUTT DIAMETER (in)	POLE GRADE	EQUIVALENT WOOD POLE CLASS	FINISH COLOR	WMIS CU	POLE ONLY STOCK #
26.0	35.0	10.2	E	3	Natural Concrete	PC35051	42017158
31.0	40.0	14.1	G	1	Natural Concrete	PC40081	42017159
35.0	45.0	15.0	G	1	Natural Concrete	PC45093	42017161

#### ARMS FOR HEAVY DUTY CONCRETE POLES

ARM LENGTH (ft)	MATERIAL	FINISH COLOR	DESCRIPTION	WMIS CU	POLE ONLY STOCK #
18.0	Galv. Steel	Galvanized Steel	A-Frame double guy mast arm	BKTCAFR16FT	42017087
20.0	Galv. Steel	Galvanized Steel	A-Frame double guy mast arm	BKTCAFR20FT	42017089

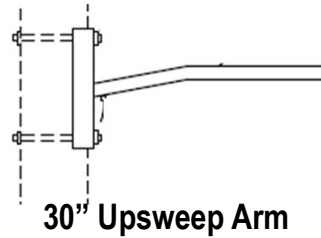
Many localities have restrictions on light distribution and placement of outdoor lighting equipment. Consult with your local government before selecting outdoor lighting equipment.



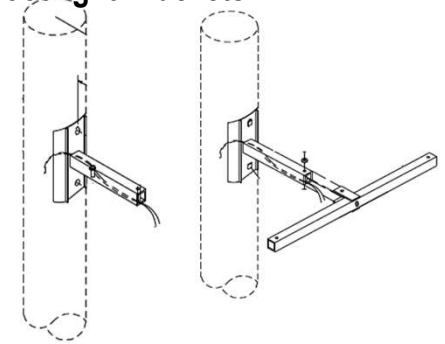
## Outdoor Lighting Pole Specifications

### Aluminum Mast Arms, Truss Arms and Adaptors for Composite and Concrete Poles

Elliptical Mast Arm



Directional Floodlight Brackets



#### MAST ARMS & BRACKETS FOR COMPOSITE & CONCRETE POLES

ARM LENGTH (ft)	ARM RISE (in)	FINISH COLOR	DESCRIPTION	WEIGHT (lbs)	EPA	WMIS CU	DE STOCK #
6	24	Natural Aluminum	Single Member Elliptical Upsweep Mast Arm	11.0	1.6	BKTTT06FT	42021269
6	24	Black RAL-9017	Single Member Elliptical Upsweep Mast Arm	11.0	1.6	BKTTT06FTB	42338247
8	32	Natural Aluminum	Single Member Elliptical Upsweep Mast Arm	15.0	2.4	BKTTT08FT	42021270
8	32	Black RAL-9017	Single Member Elliptical Upsweep Mast Arm	15.0	2.2	BKTTT08FTB	42338248
10	39	Natural Aluminum	Single Member Elliptical Upsweep Mast Arm	18.0	3.3	BKTTT10FT	66089000
10	39	Black RAL-9017	Single Member Elliptical Upsweep Mast Arm	18.0	3.3	BKTTT10FTB	42338249
12	46	Natural Aluminum	Single Member Elliptical Upsweep Mast Arm	21.0	4.0	BKTTT12FT	66089200
12	46	Black RAL-9017	Single Member Elliptical Upsweep Mast Arm	21.0	4.0	BKTTT12FTB	42338250
2.5	15	Natural Aluminum	Single Member Upsweep Bracket	N/A	N/A	BKTUS30INC	42021268
2.5	15	Black RAL-9017	Single Member Upsweep Bracket	N/A	N/A	BKTUS30INCB	42410339
N/A	12.0	Natural Aluminum	Expressway Bracket	N/A	N/A	BKT12ICPOH	66084000
N/A	N/A	Gray RAL-7038	Expressway Bracket	N/A	N/A	LEXADAPTOR	42059940
N/A	N/A	Black RAL-9017	Expressway Bracket	N/A	N/A	LEXADAPTORB	42338144
1.0	N/A	Natural Aluminum	Directional Floodlight Bracket - Single Luminaire	N/A	N/A	BKTDF1	42021266
N/A	N/A	Natural Aluminum	Bracket Used With BKTDF1 to Mount 2, 3, or 4 Floodlights	N/A	N/A	BKTDF234	42021267

Many localities have restrictions on light distribution and placement of outdoor lighting equipment. Consult with your local government before selecting outdoor lighting equipment.



## Outdoor Lighting Pole Specifications

### Standard Wood for Side Mounted, Directional Flood or Post Top Luminaires with Tenon Mount Brackets



Round standard treated wood poles for side mounted luminaires. Wood poles can be used for Directional Floodlights or Post Top Luminaires utilizing specific brackets. Poles are directly embedded for use with overhead supply conductors.

Installation available on new poles, or existing Dominion Energy owned electric distribution poles where adequate space is available.

Light fixtures that match well with this pole include:

- Basic LED Cobra style
- Basic LED Directional Flood style
- Basic LED Open Vertical (Area)
- Basic LED Shoebox style
- Premium LED Expressway

#### MAST ARMS & BRACKETS FOR WOOD POLES

ARM LENGTH (ft)	ARM RISE (in)	MATERIAL	DESCRIPTION	WMIS CU	DE STOCK #
2.5	8.0	Galv. Steel	Single Member Upsweep Mast Arm	BKTUS30IN1	66085000
6.0	10.0	Galv. Steel	Single Member Upsweep Mast Arm	BKTUS6FT	66086000
8.0	33.0	Galv. Steel	Single Guy Mast Arm	BKTSG08FT	66089300
10.0	39.0	Galv. Steel	Single Guy Mast Arm	BKTSG10FT	66089800
12.0	46.0	Galv. Steel	Single Guy Mast Arm	BKTSG12FT	66090000
14.0	47.0	Galv. Steel	Double Guy Mast Arm	BKTDG14FT	66091100
14.0	47.0	Galv. Steel	A-Frame Double Guy Mast Arm	BKTAFR14FT	66091800
16.0	56.0	Galv. Steel	A-Frame Double Guy Mast Arm	BKTAFR16FT	66092500
18.0	60.0	Galv. Steel	A-Frame Double Guy Mast Arm	BKTAFR18FT	66093000
20.0	64.0	Galv. Steel	A-Frame Double Guy Mast Arm	BKTAFR20FT	66093500
1.0	N/A	Aluminum	Directional Floodlight Bracket	BKTDF1	42021266
N/A	N/A	Aluminum	Arm For Mounting 2,3, or 4 Directional Floodlights. Use With BKTDF1	BKTDF234	42021267
1.0	N/A	Aluminum	Expressway Bracket	BKT12ICPOH	66084300

Many localities have restrictions on light distribution and placement of outdoor lighting equipment. Consult with your local government before selecting outdoor lighting equipment.